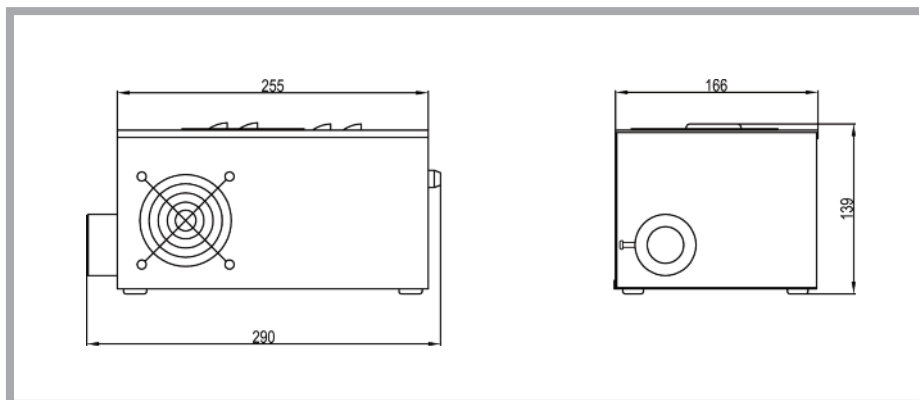


150W Tungsten Halogen Light Source



A powerful yet compact tungsten halogen light source, the UFO 150W is suitable for multiple applications.

It is available in two models - decorative and white light. The decorative version can be installed with either a colour or a twinkle wheel, whilst the white light model can be fitted with static colour filters. The unit is fitted with a 12V DC fan to allow mains controlled dimming and can optionally be specified with an integral manual dimmer to allow dimming control from the unit itself.

Description	150W
Port connector size	30mm diameter
Fibre type	Glass/Polymer
Supply voltage	240 VAC 50 Hz
Lamp power	150W
Input power @ 240VAC	168VA
Start up current @ 240VAC	1.3A
Running current @ 240VAC	0.7A
Thermal protection	Self reset thermal switch
Min. ambient temperature	-20°C
Max. ambient temperature	40°C
Main fuse	3.15 Amp
Power cord	Standard 3 pin plug
Fan type	Plastic fibre Glass fibre
	Papst 8412NGME Papst 8412NGLE
Lamp type	Tungsten Halogen
Lamp model	GE Quartzline
Lamp colour temperature	3150K
Operating environment	Indoor / dry
Protection rating	IP20
Material	Sheet steel
Colour	Black
Size	(L)290mm x (W)166mm x (H)139mm
Weight	WL: 4.8kg / Dec: 5.3kg

For current specification part numbers, please see the light source configuration tool on our website.

