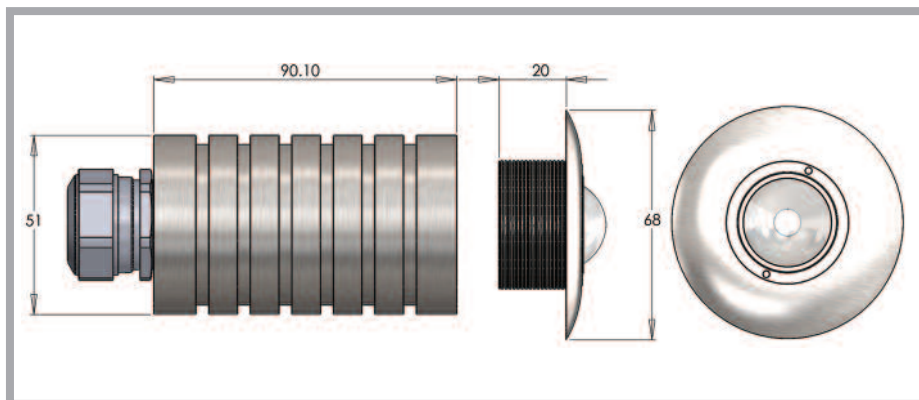


## UFO E1 Submersion Fitting



**A large submersible eyeball fitting manufactured from stainless steel with a unique 2 part clear focusing lens which dramatically reduces the risk of water ingress.**

Available with a backnut for fixing through a panel or backbox for fitting into CP2 pool pipe for more accurate and easier installation.

Description	
Glass	Focusing eyeball
Material	Stainless steel
Colours available	Natural
Flange size	68 mm
Weight	913 g
Focus range	20° - 40°
Ferrule size	M10 or 8 mm smooth
Min. fibre size	2 mm
Max. fibre size	8 mm

Our submersible eyeball fitting range are suitable for installation in constant immersion settings such as swimming pools, ponds and water features.

Mainly used to provide side-lighting they project a beam of light from the mounting surface through the water.

Use of a separate backbox means that they can be pre-fitted when concrete is being poured or retro fitted into existing stone or concrete. A wide flange allows superior sealing against smooth surfaces. The eyeball part of the fitting is sealed against water ingress with an o-ring compressed by a locking ring.